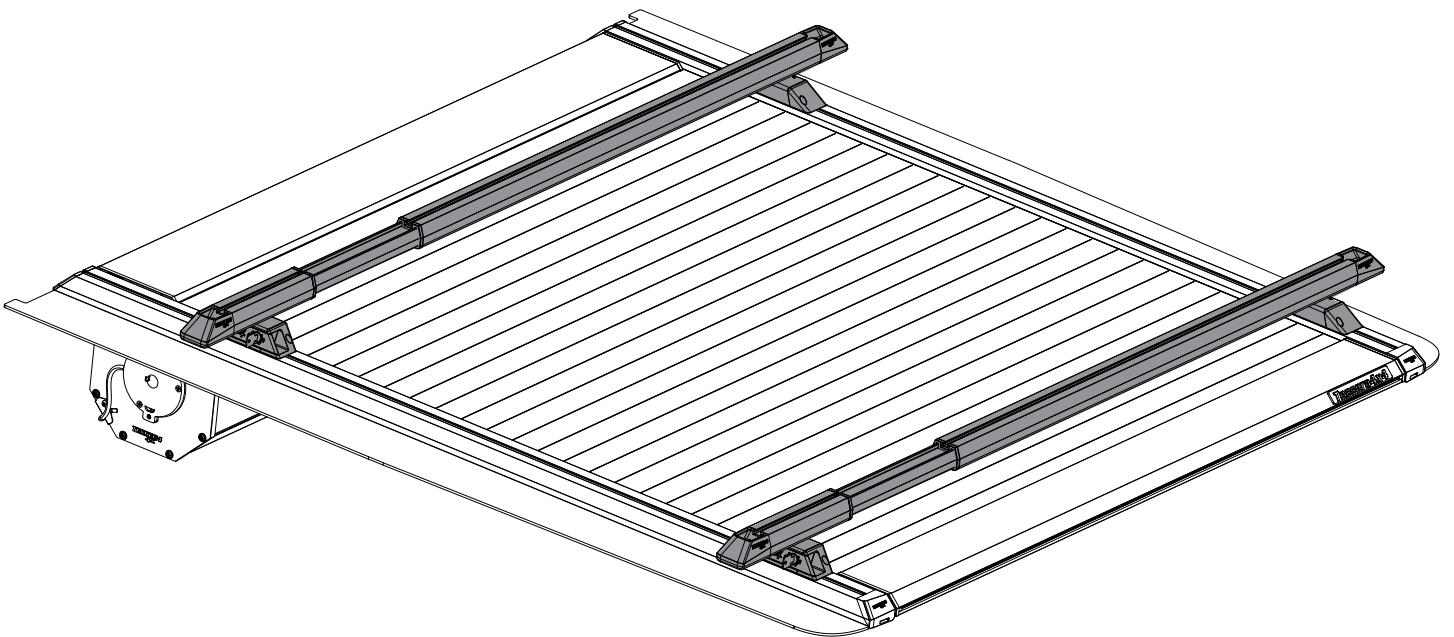


# Tessera Bar+

2 in 1

## Cross Bars to Side Bars Installation Manual

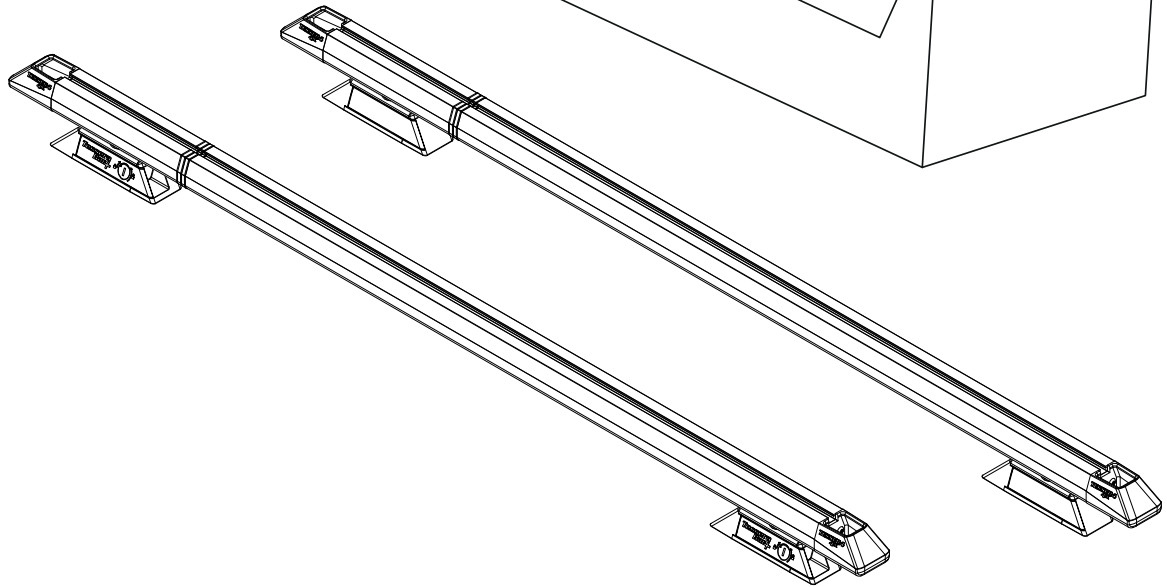
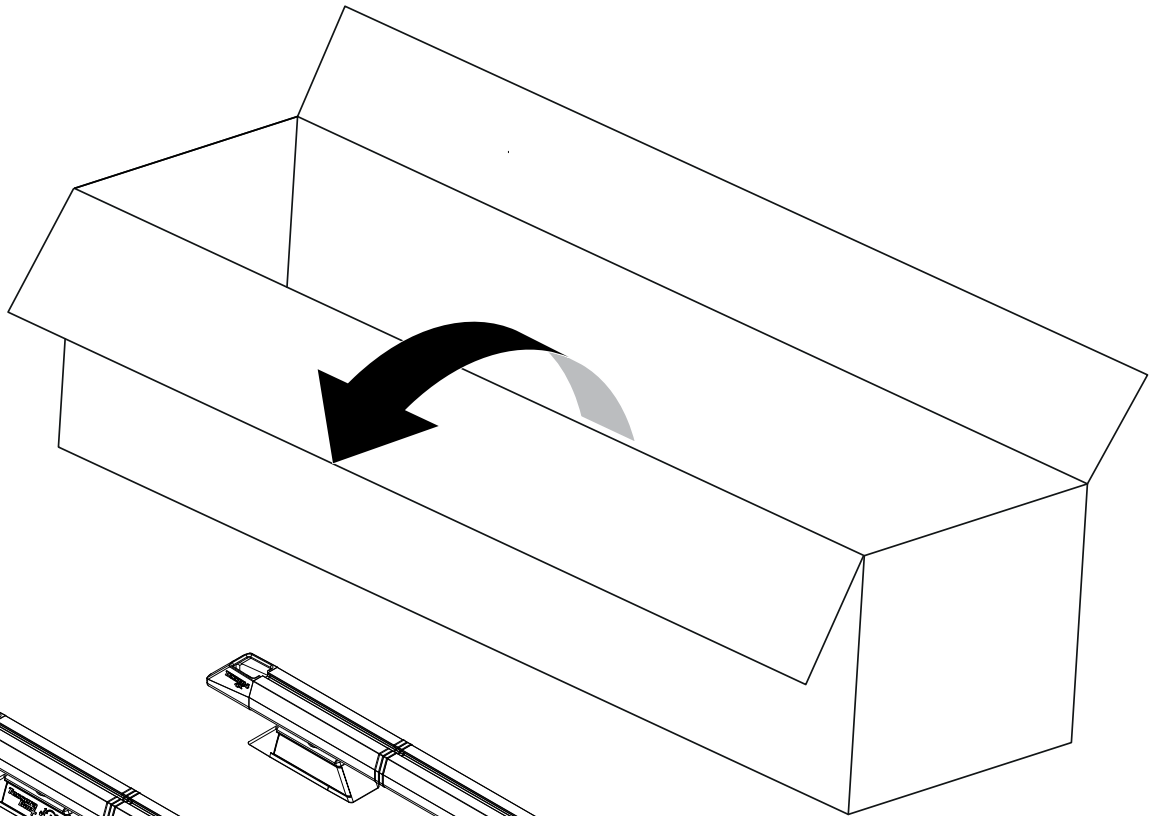


<b>PART NUMBER(S)</b>	<b>Models</b>
<b>BAR 001 EU</b>	<b>E.U. Models</b>
<b>BAR 001 WILD</b>	<b>Ford Ranger (P703) WILDTRAK 2023+</b>
<b>BAR 001 US</b>	<b>U.S. Models</b>

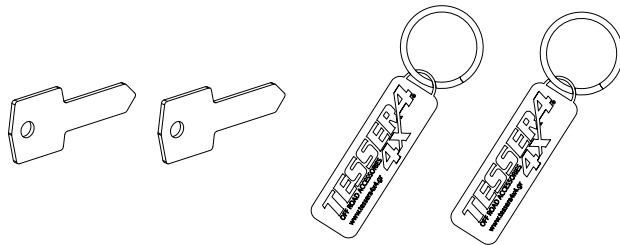
### **Installation Time**

**10 - 20 minutes**

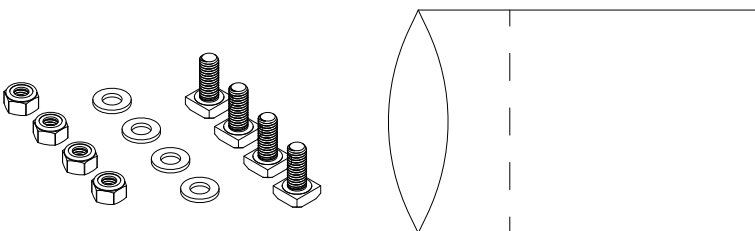




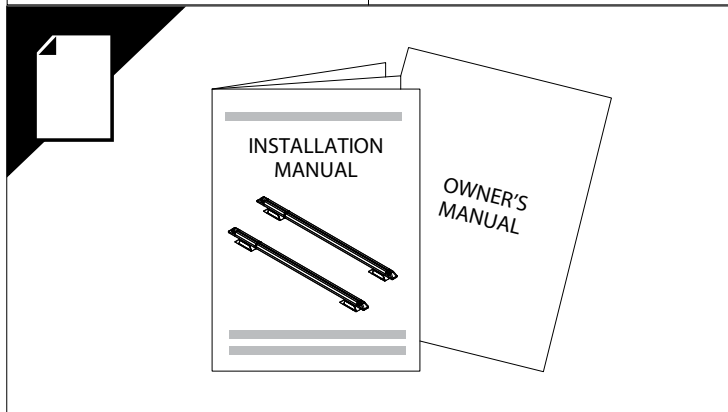
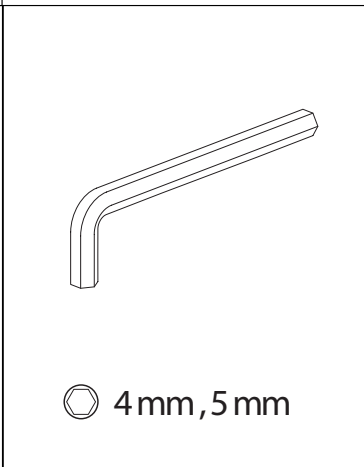
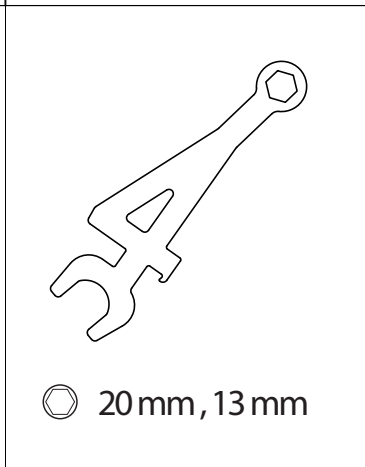
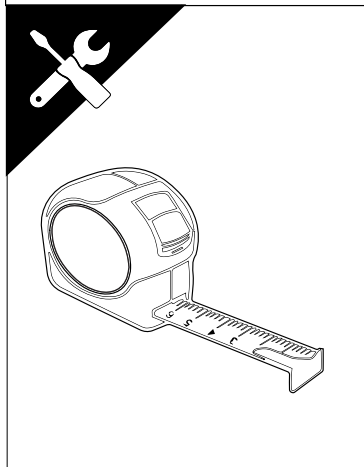
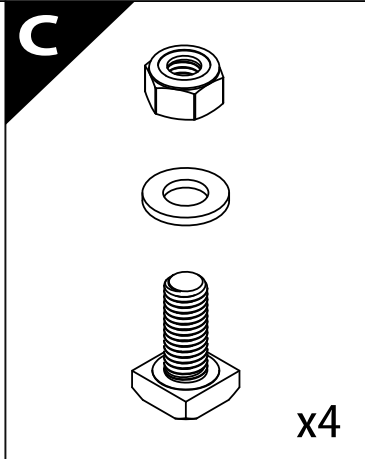
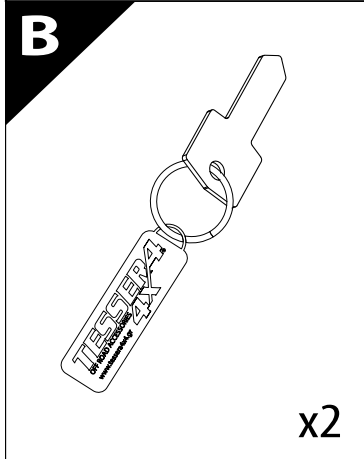
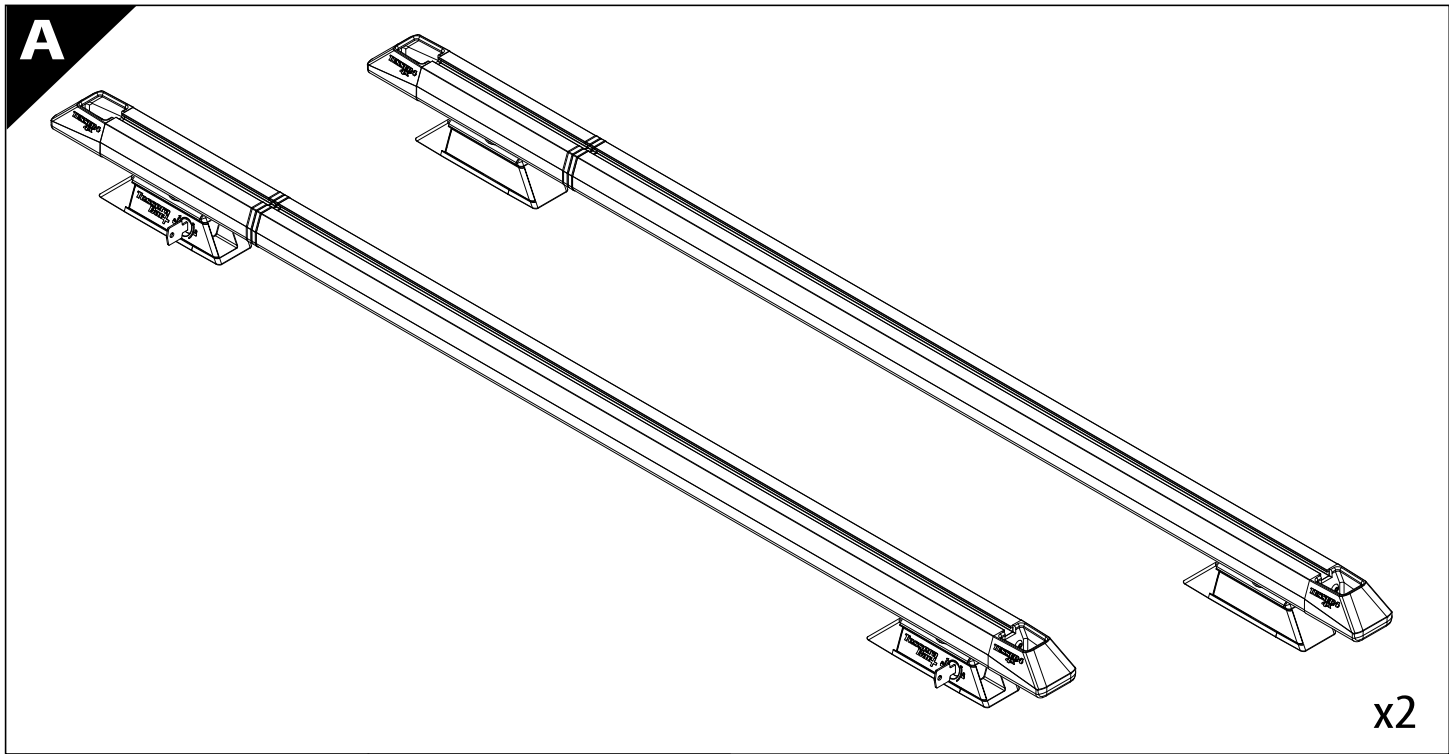
**A**



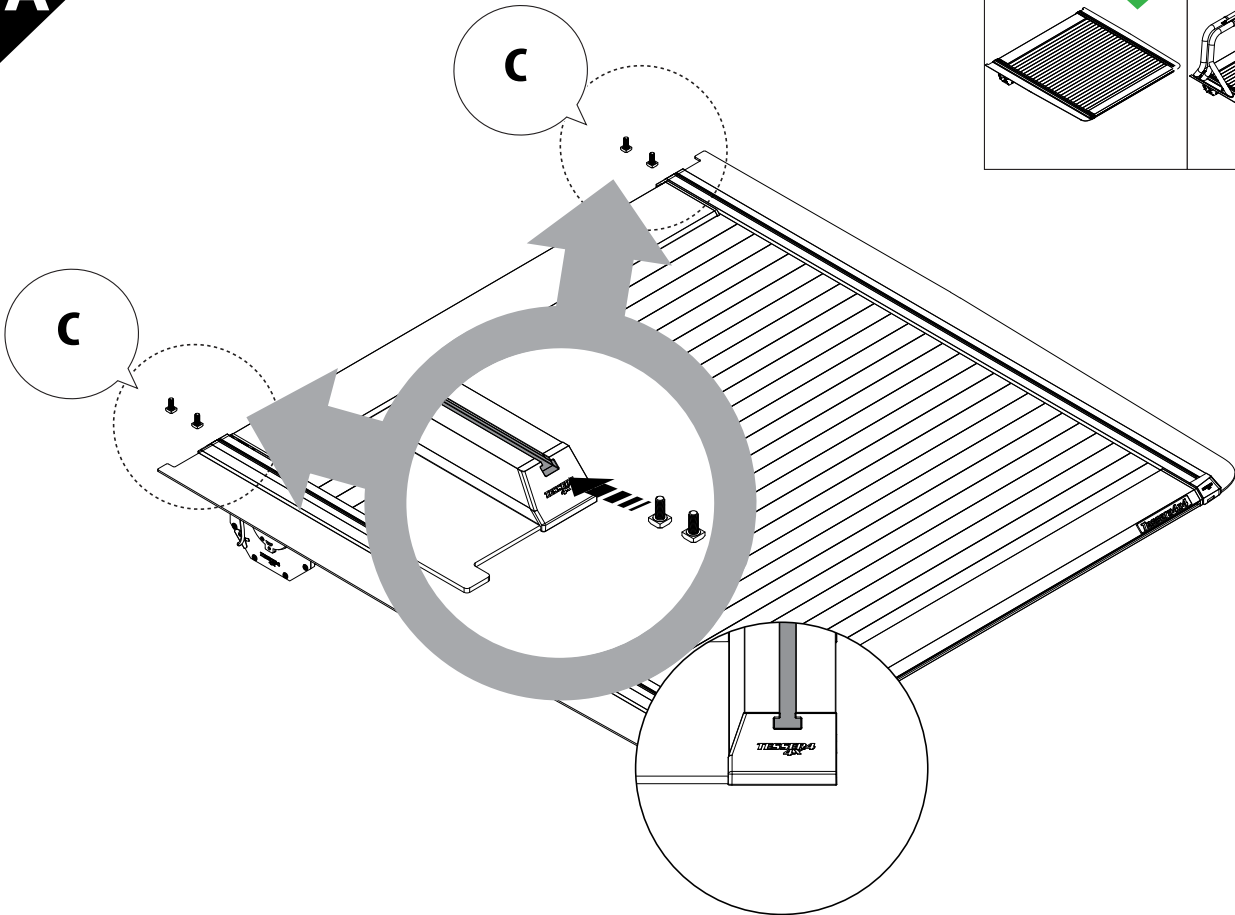
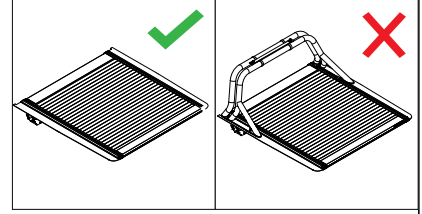
**B**



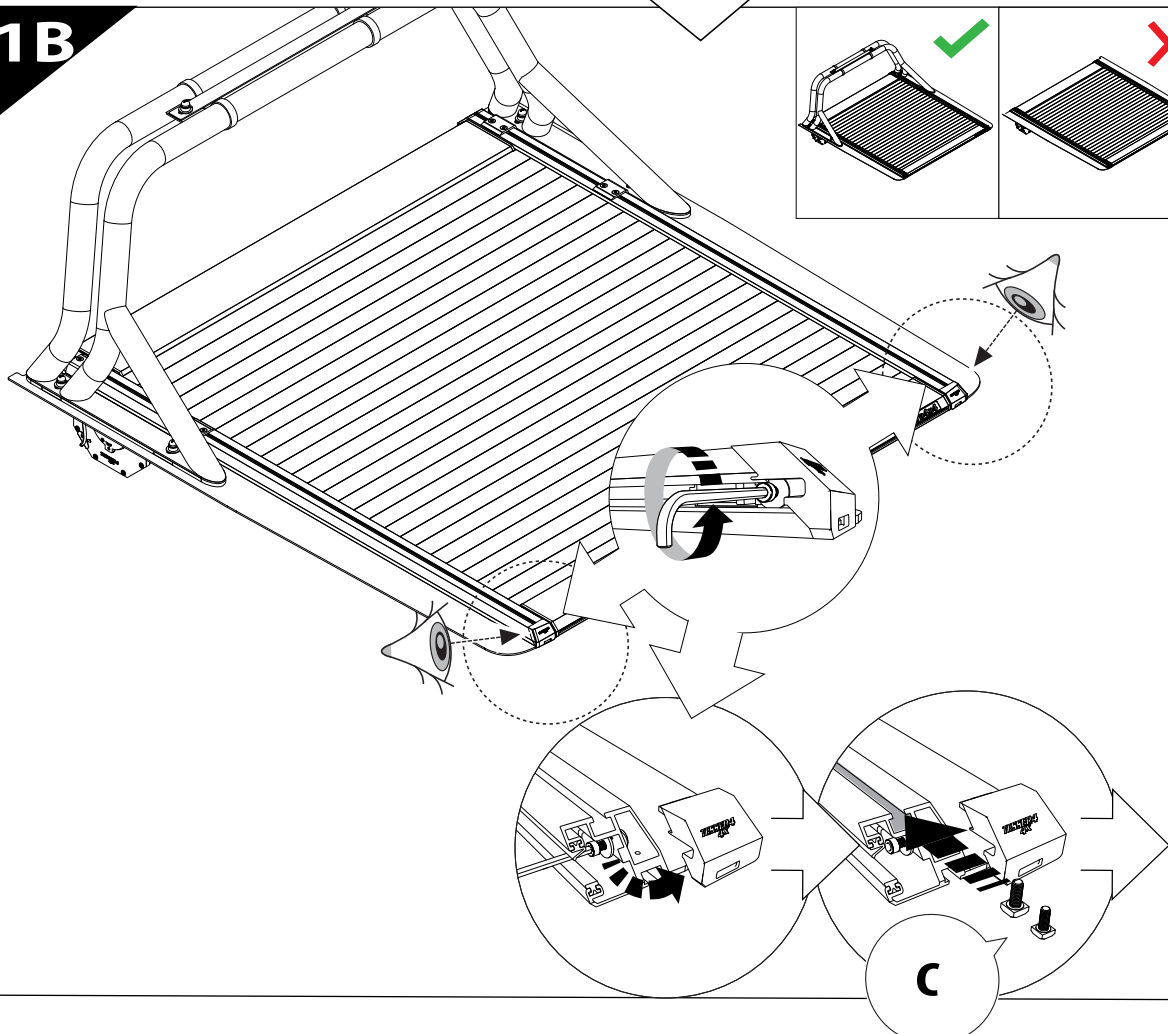
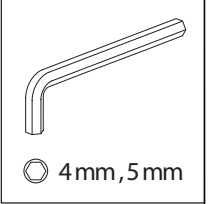
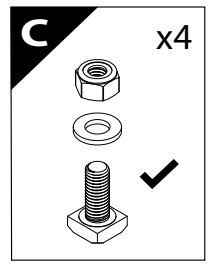
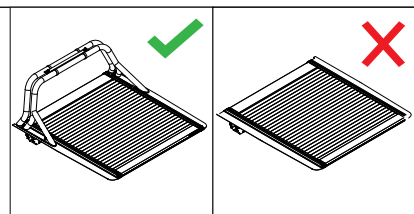
**C**



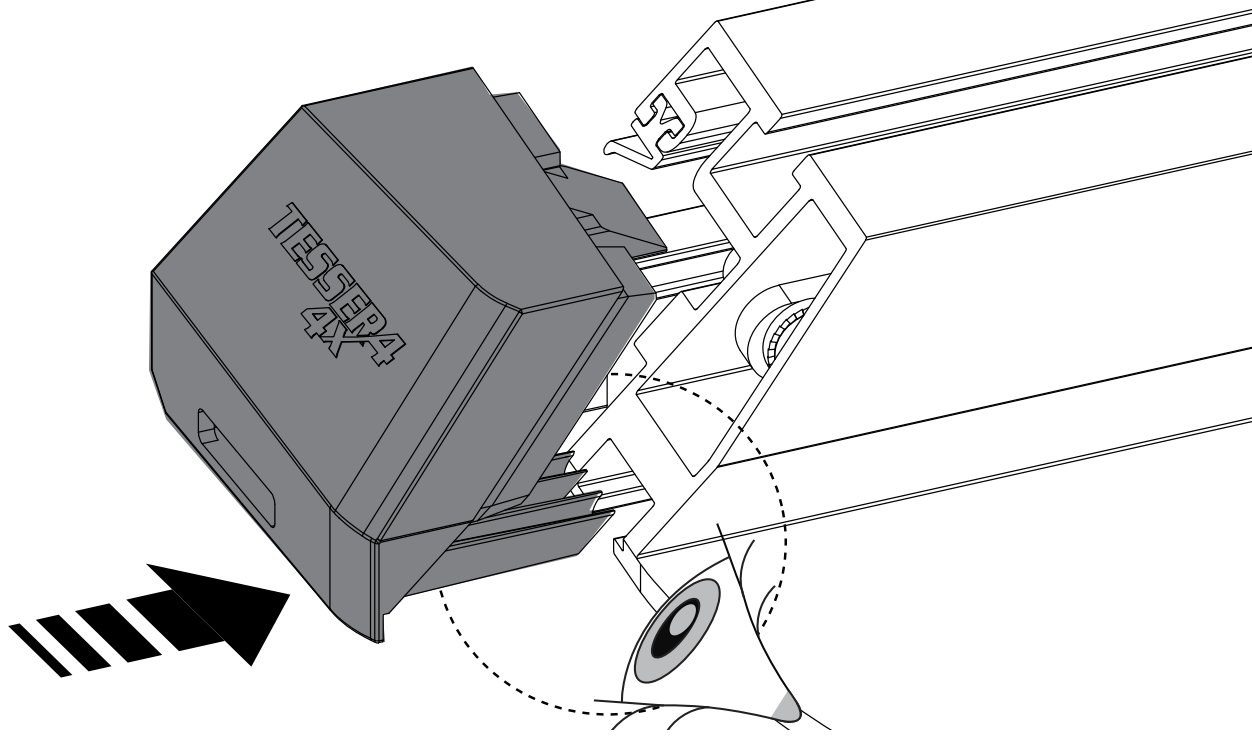
1A



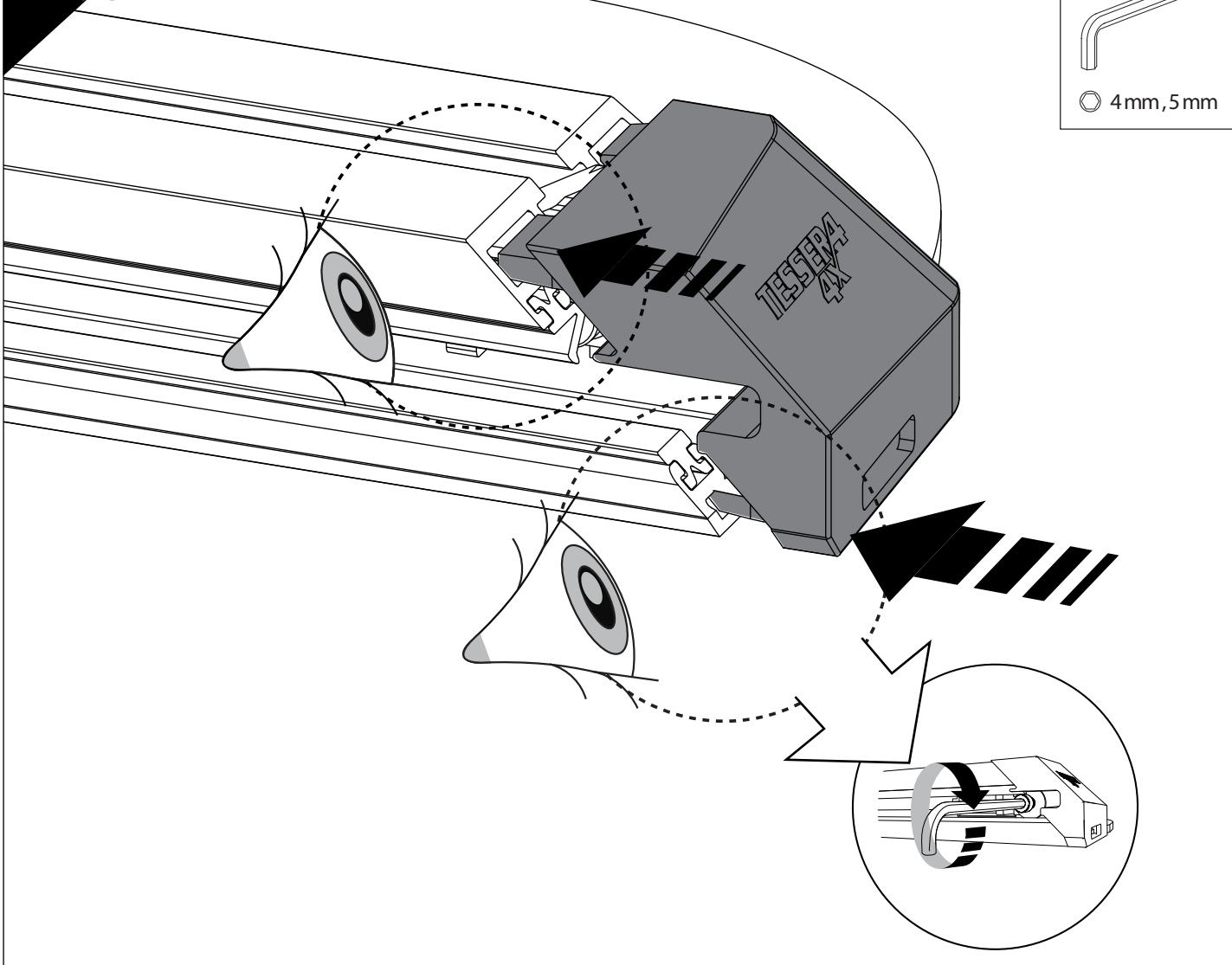
1B

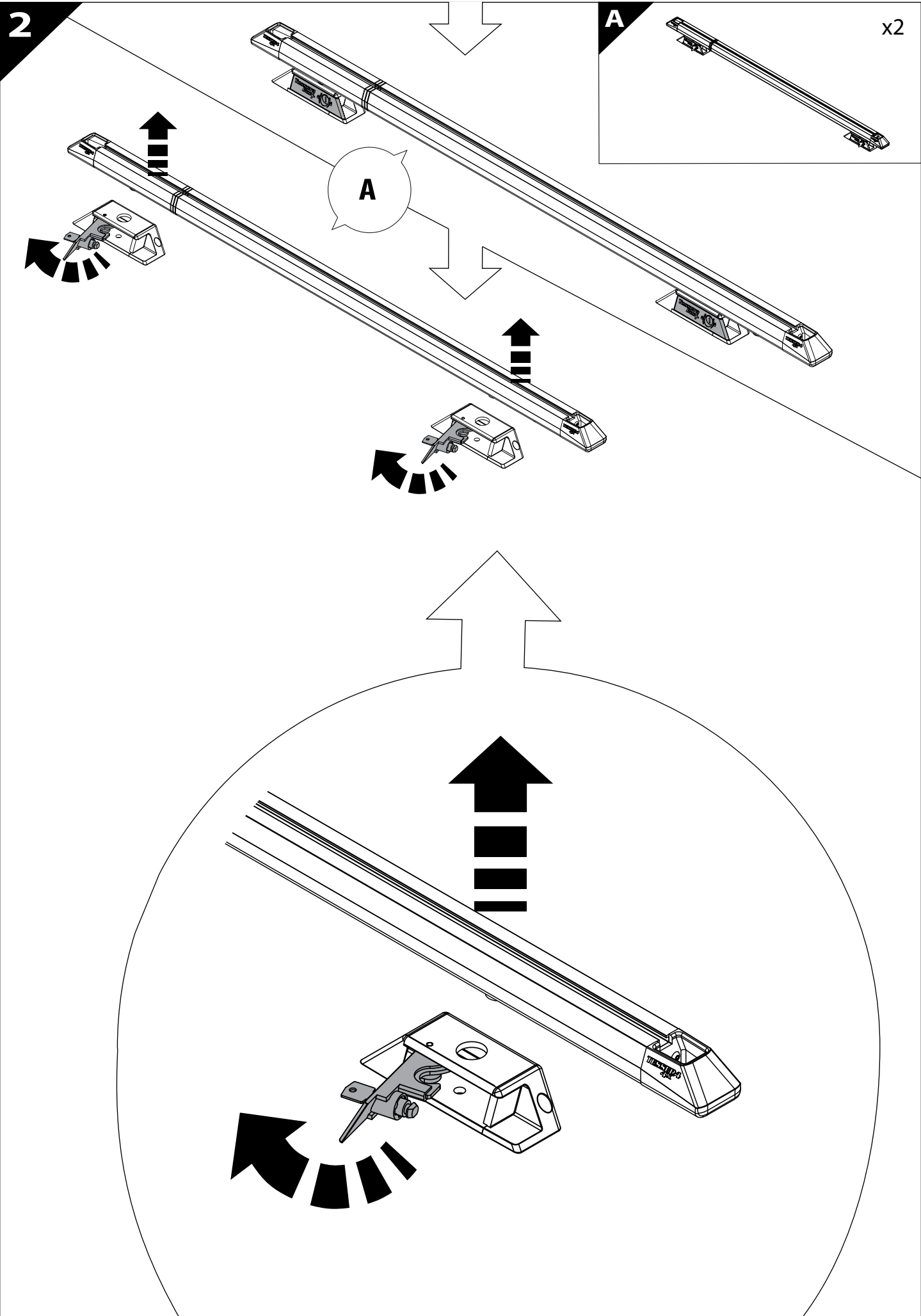


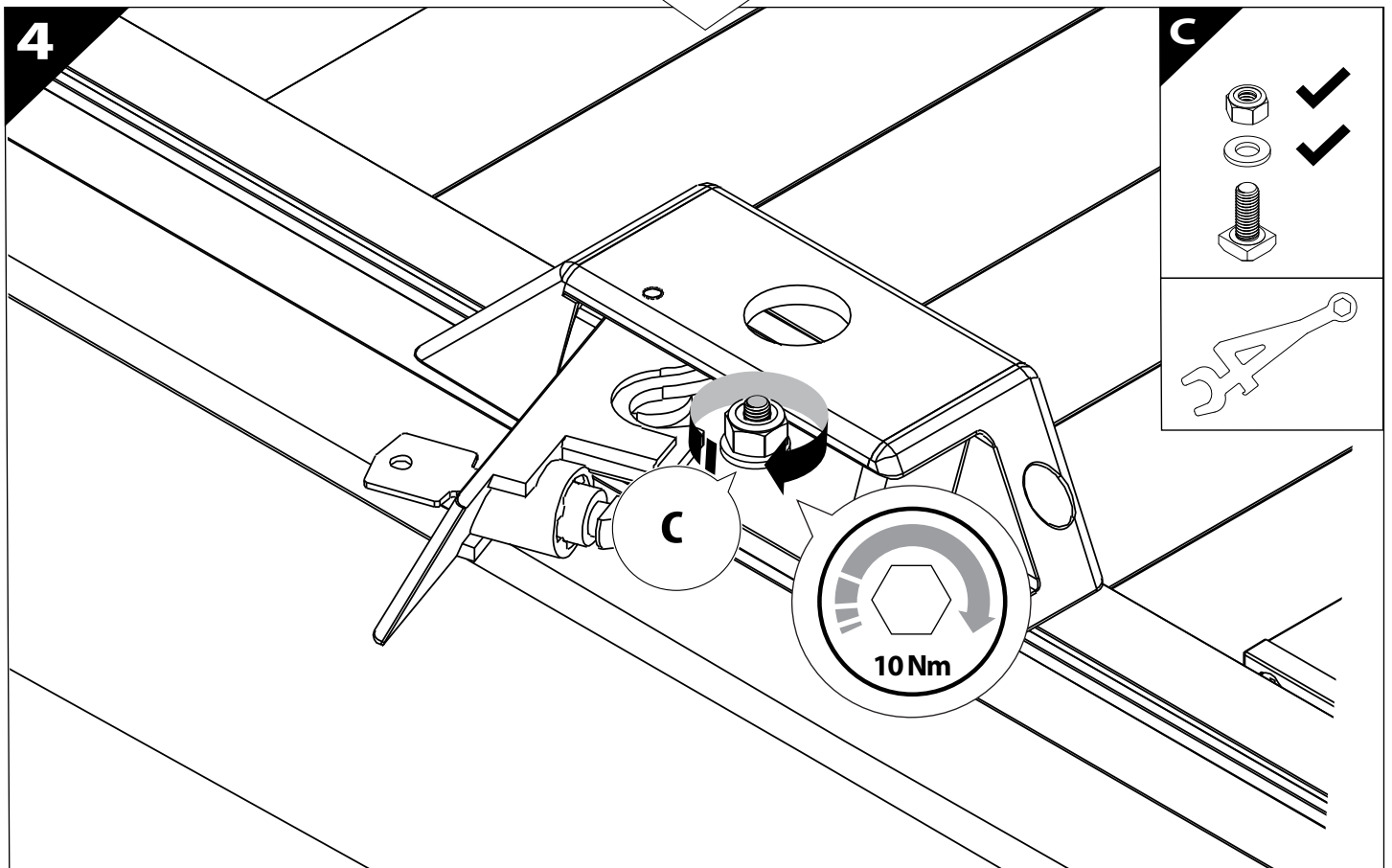
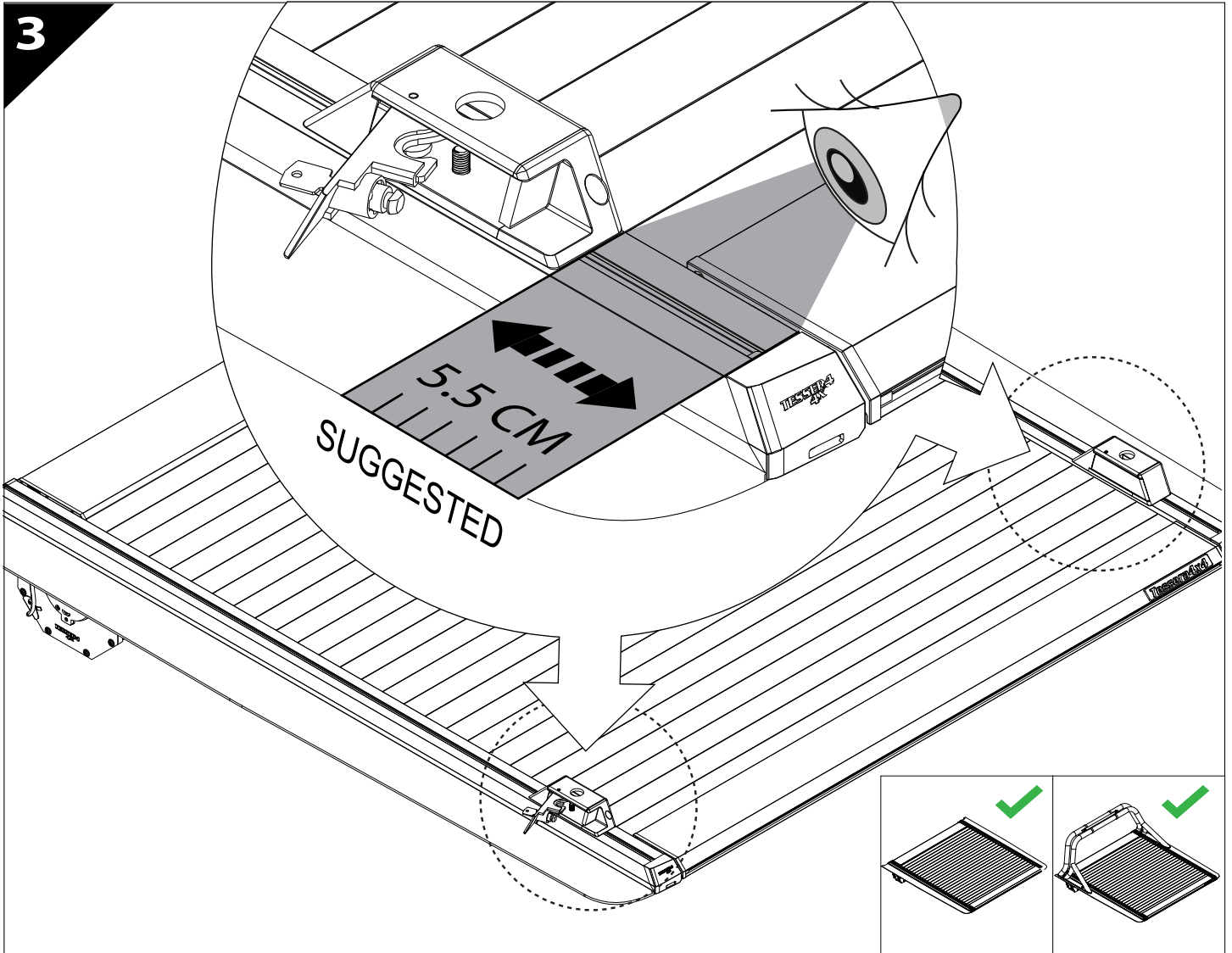
1B.1



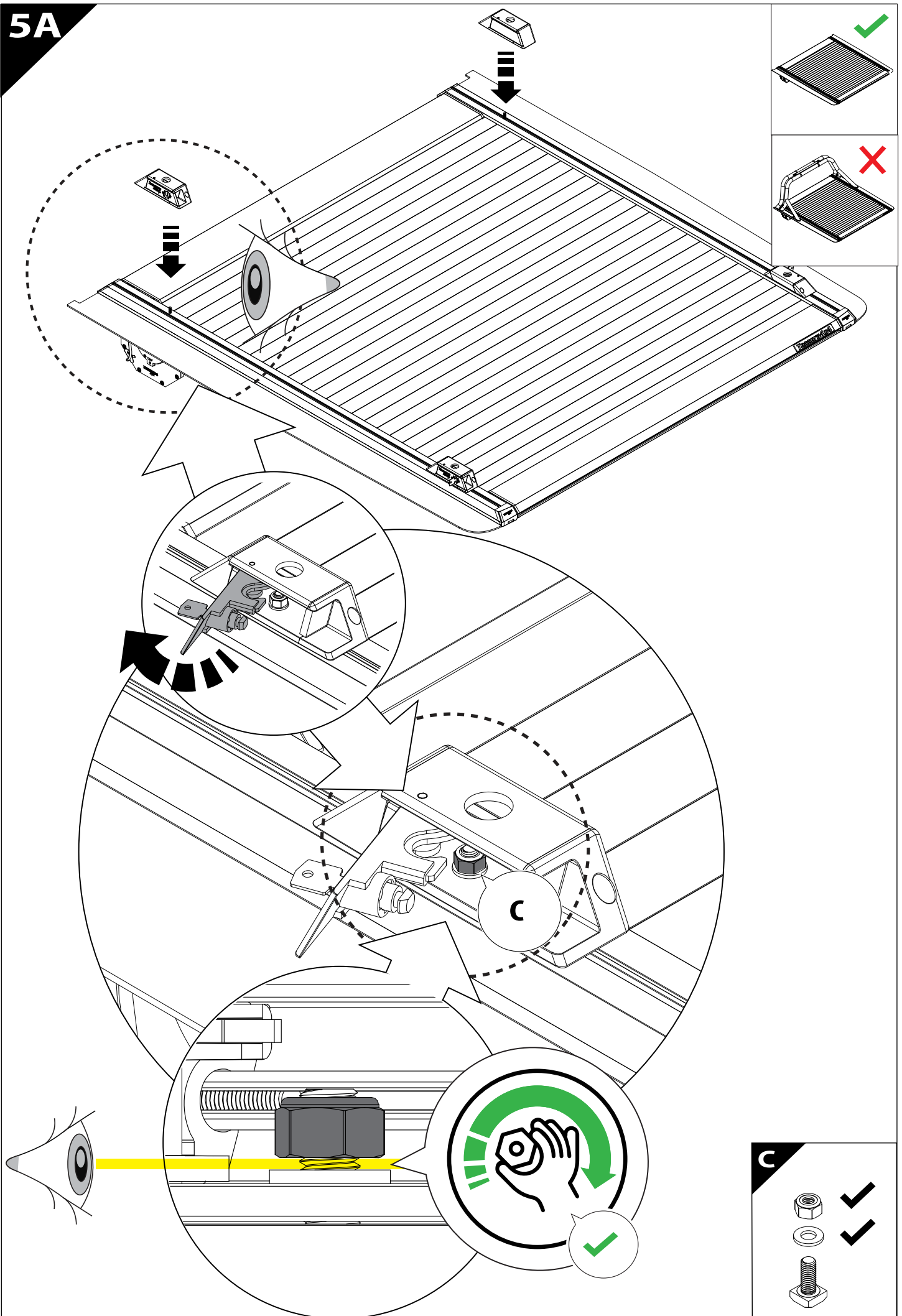
1B.2



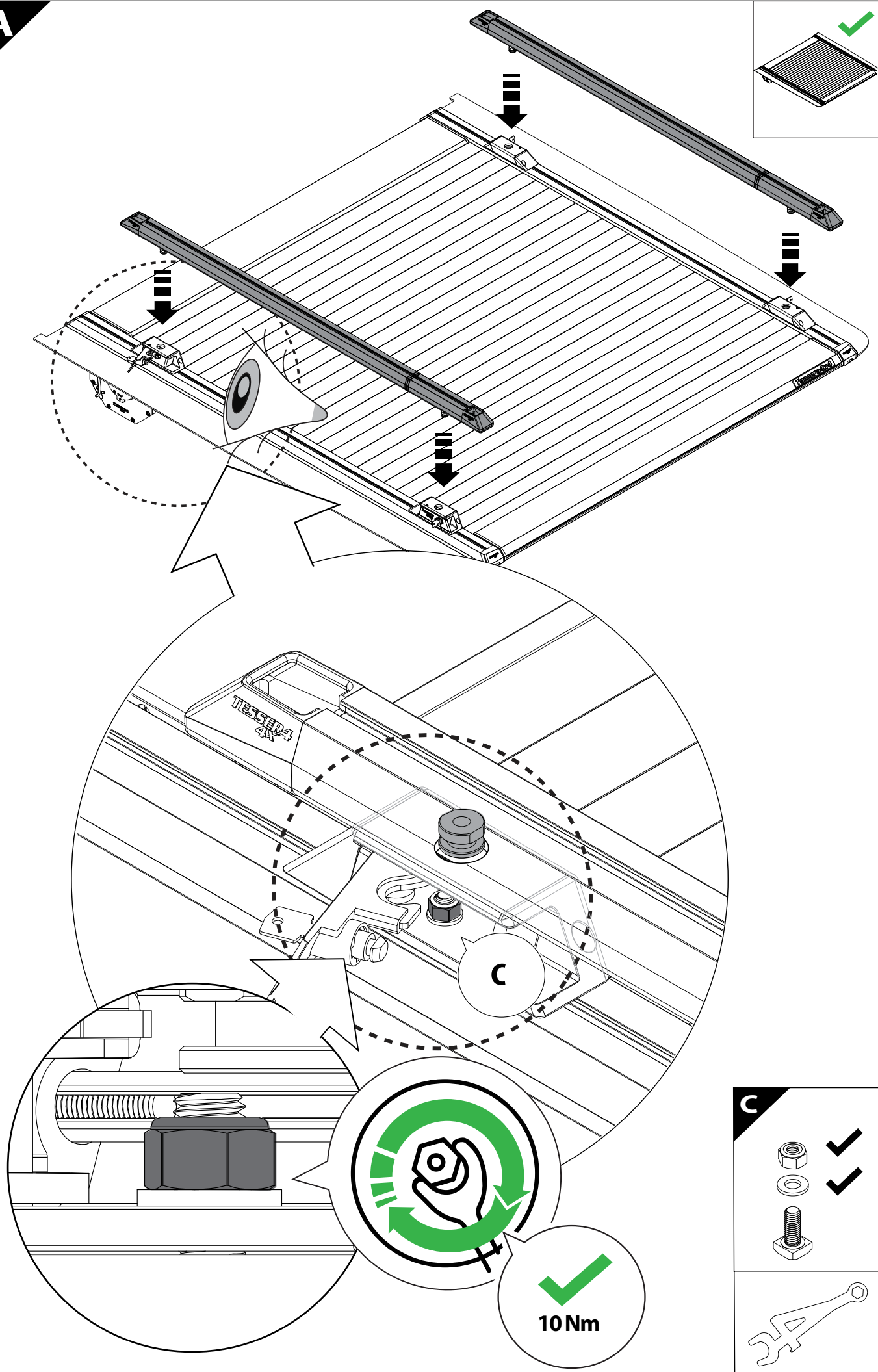




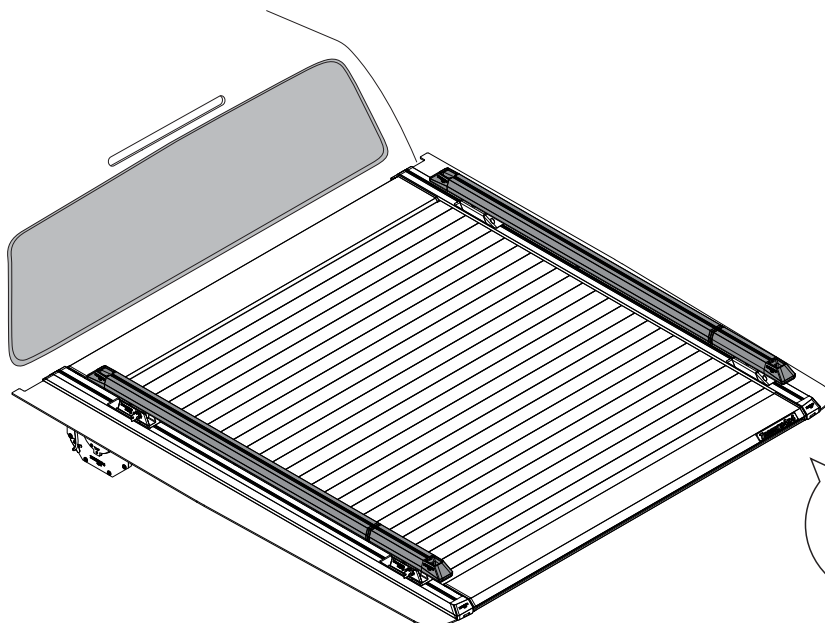
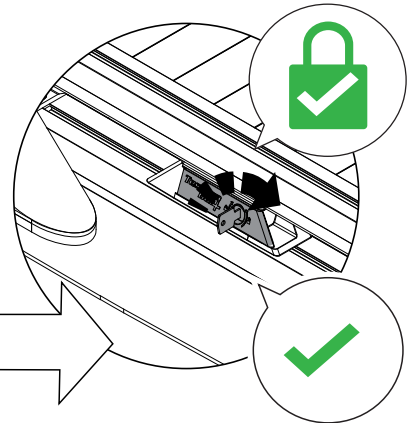
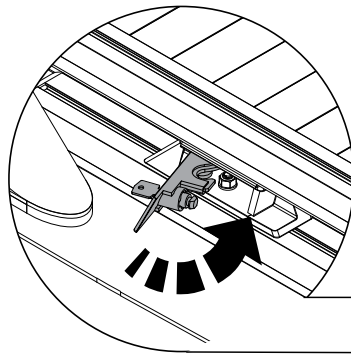
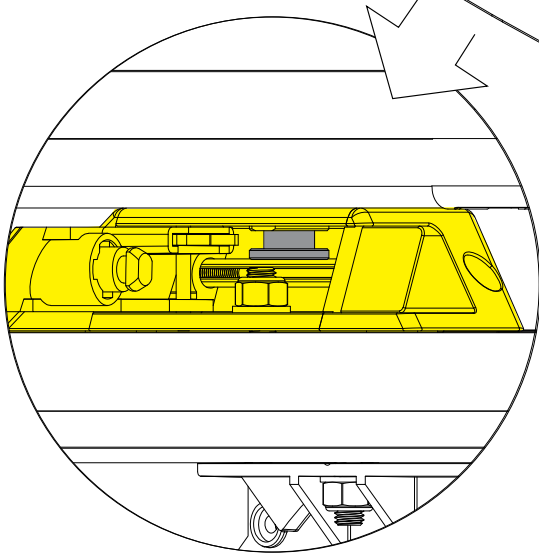
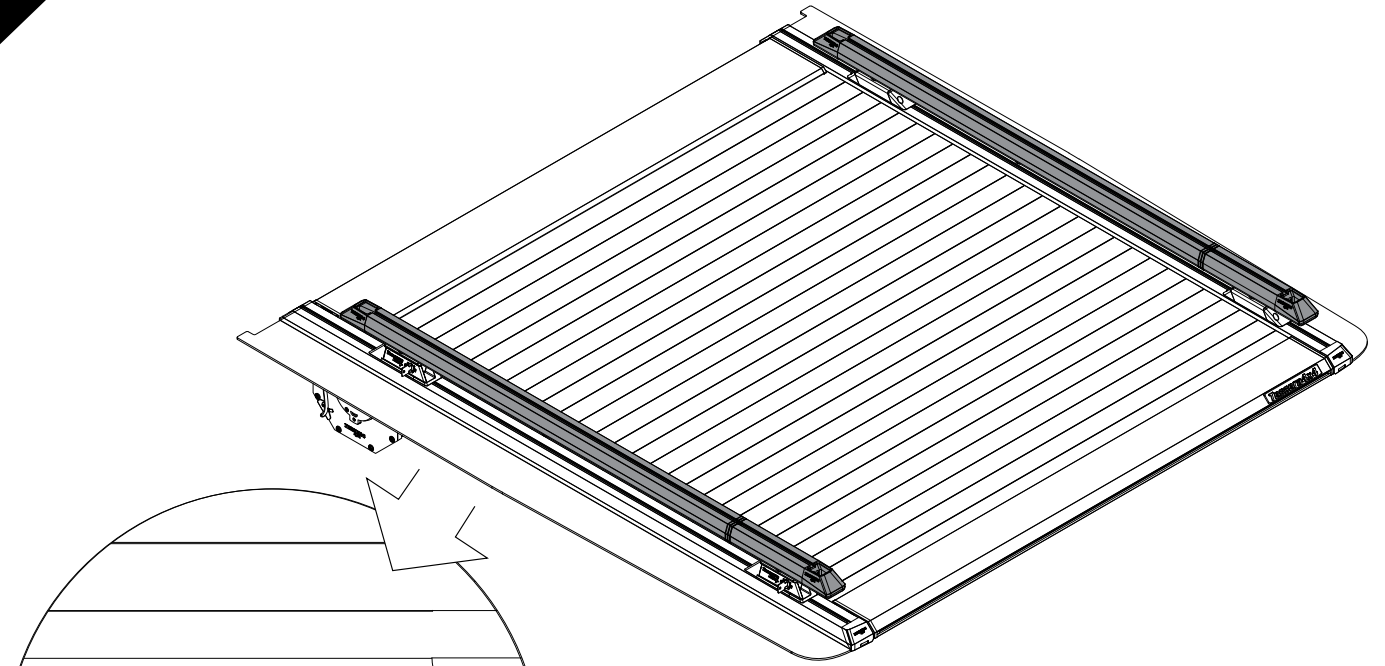
5A



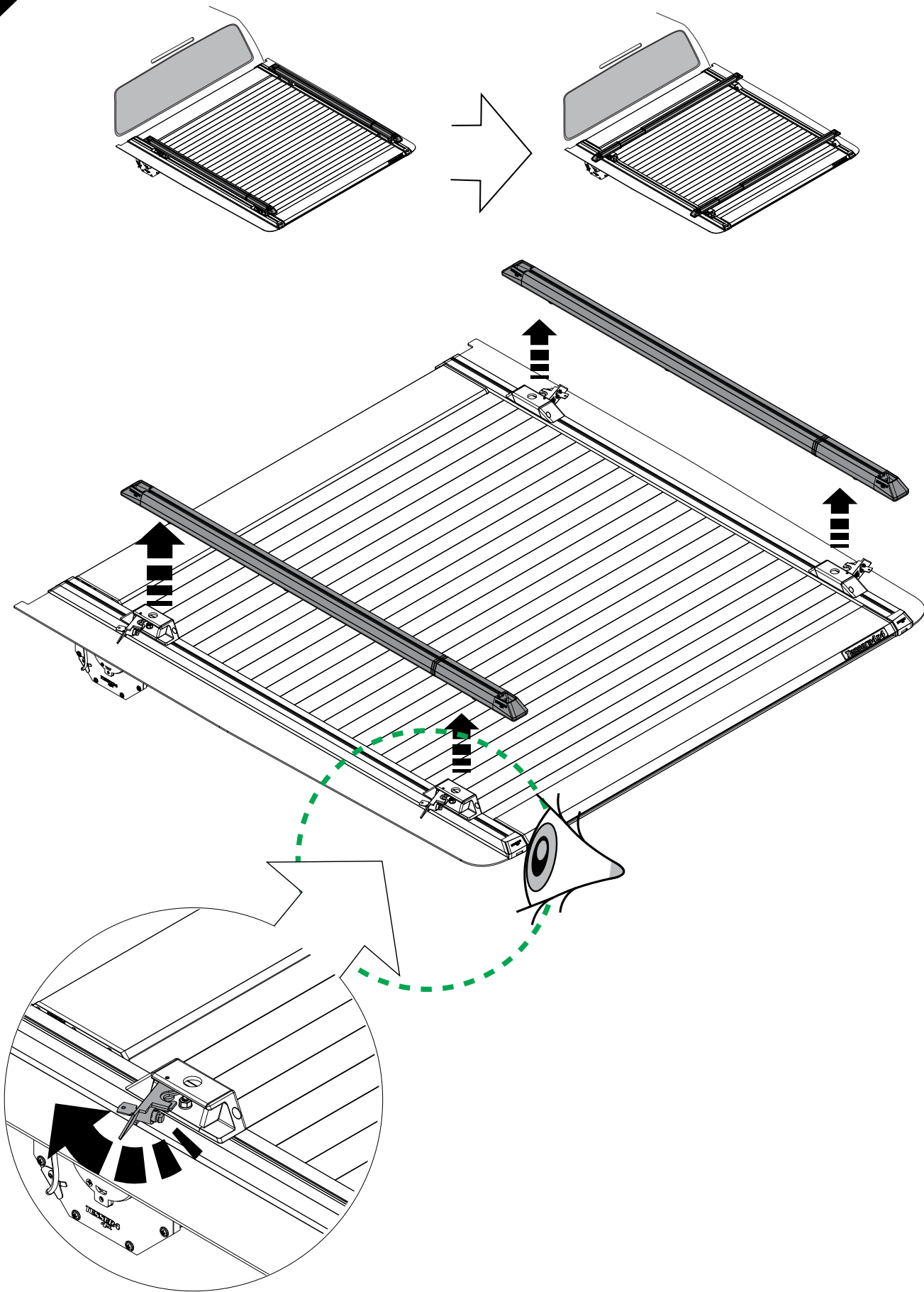
6A



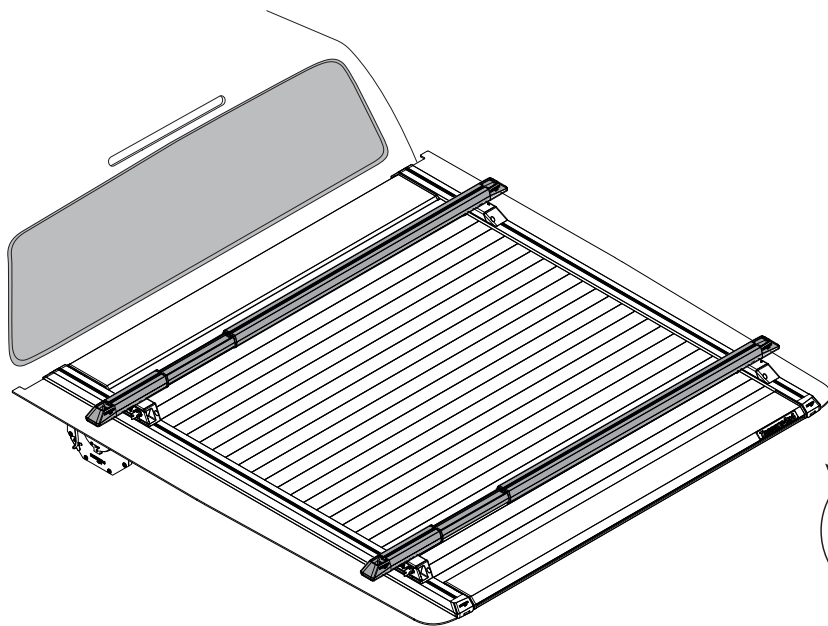
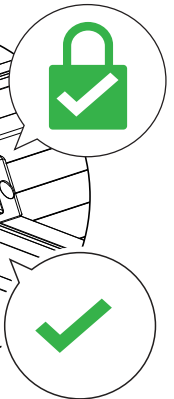
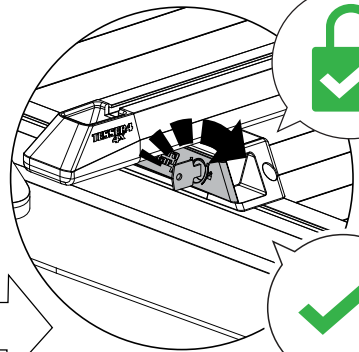
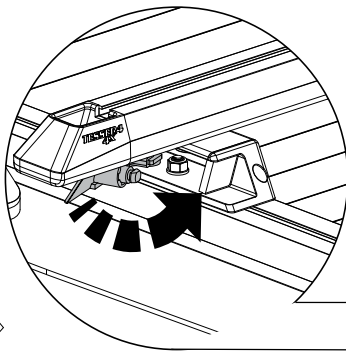
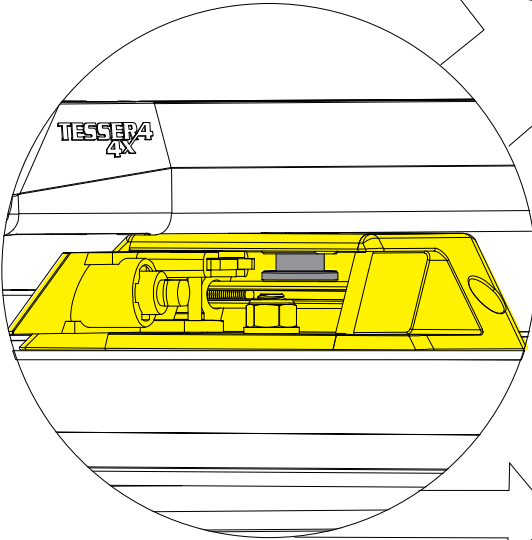
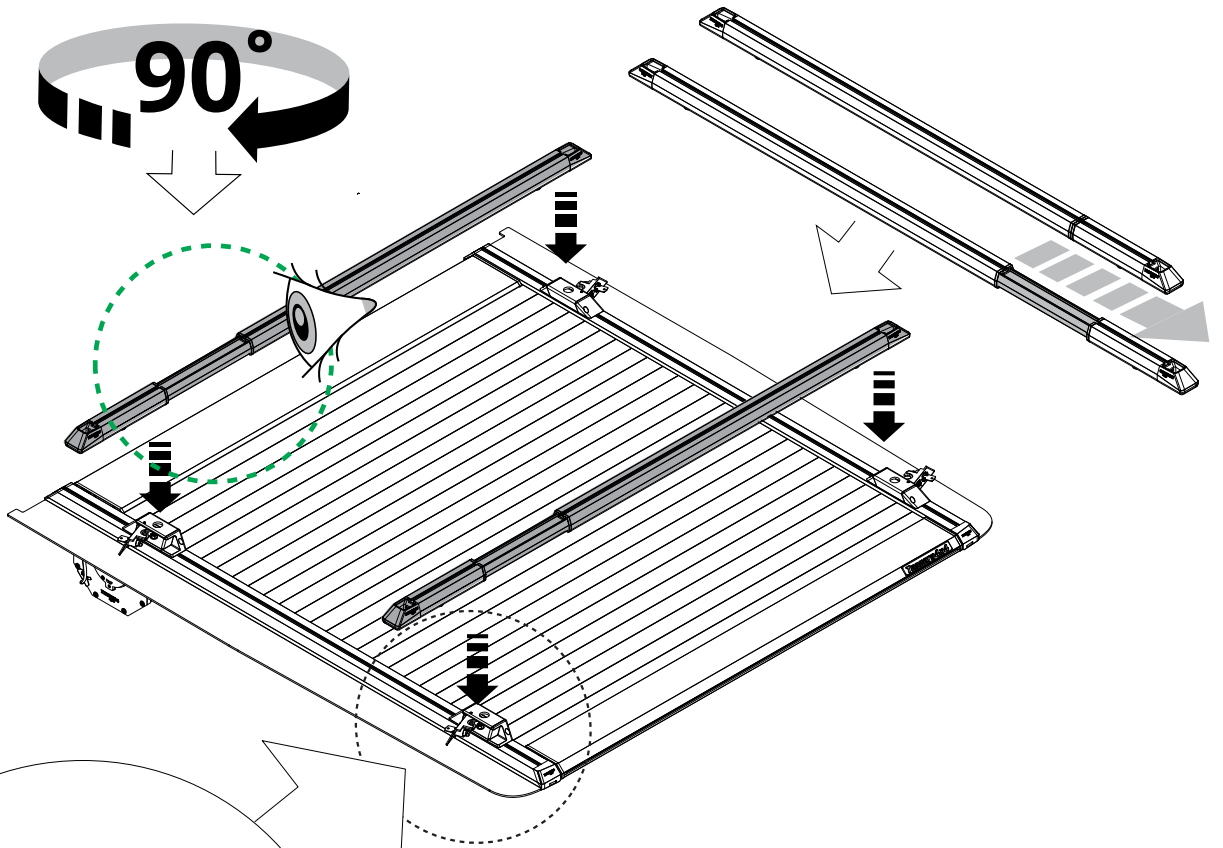
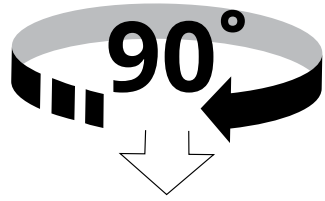
7A



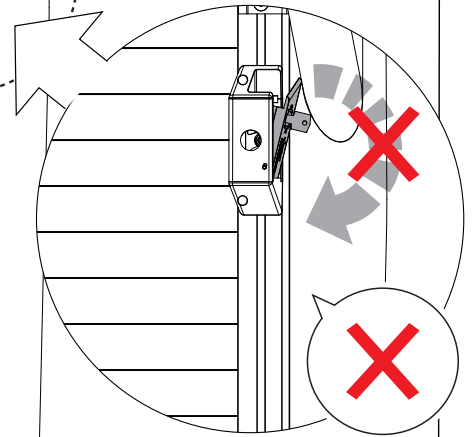
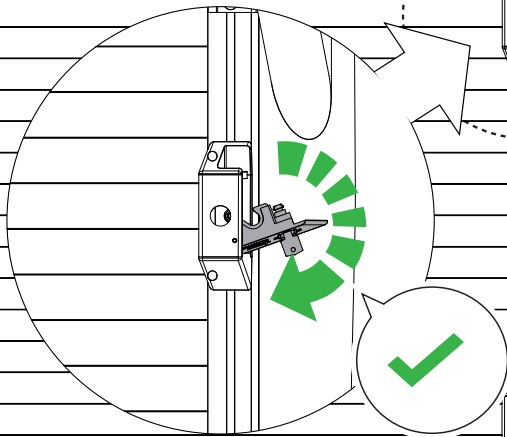
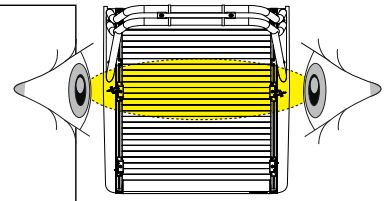
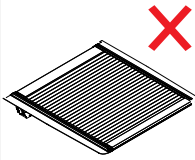
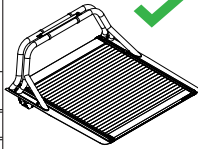
8A



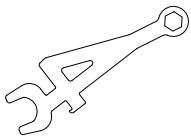
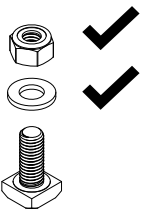
9A



5B



C



X = X'

X

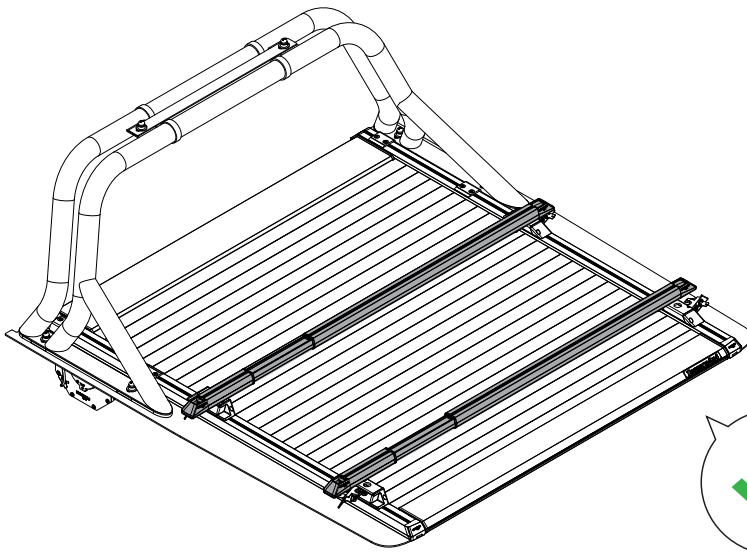
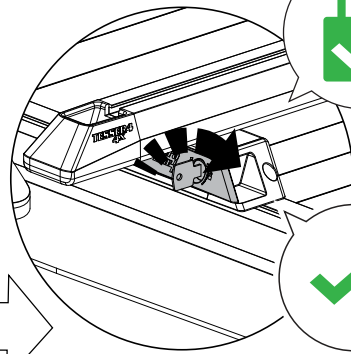
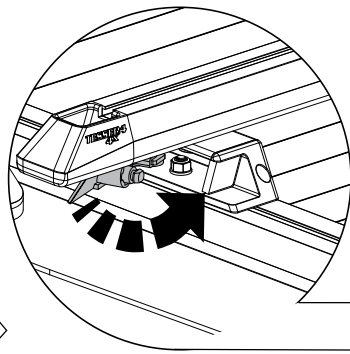
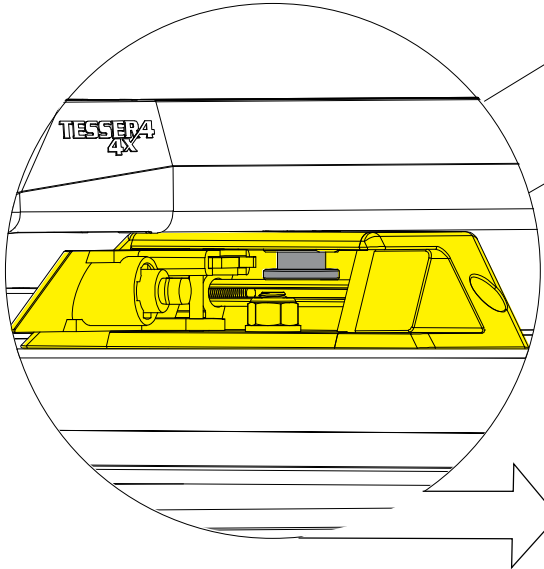
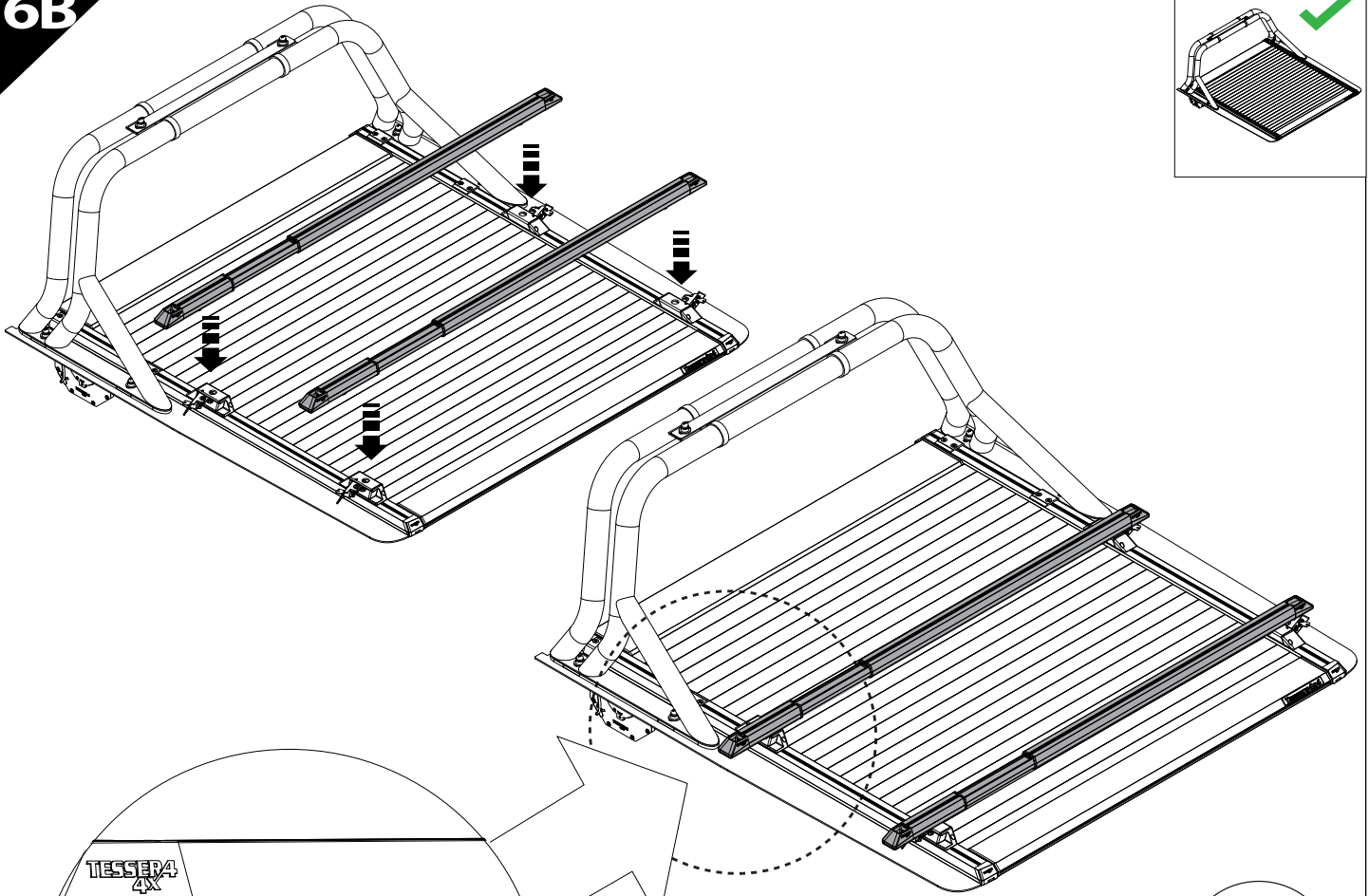
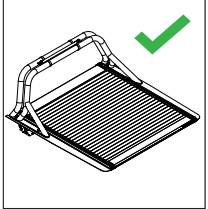
X'

5.5 cm

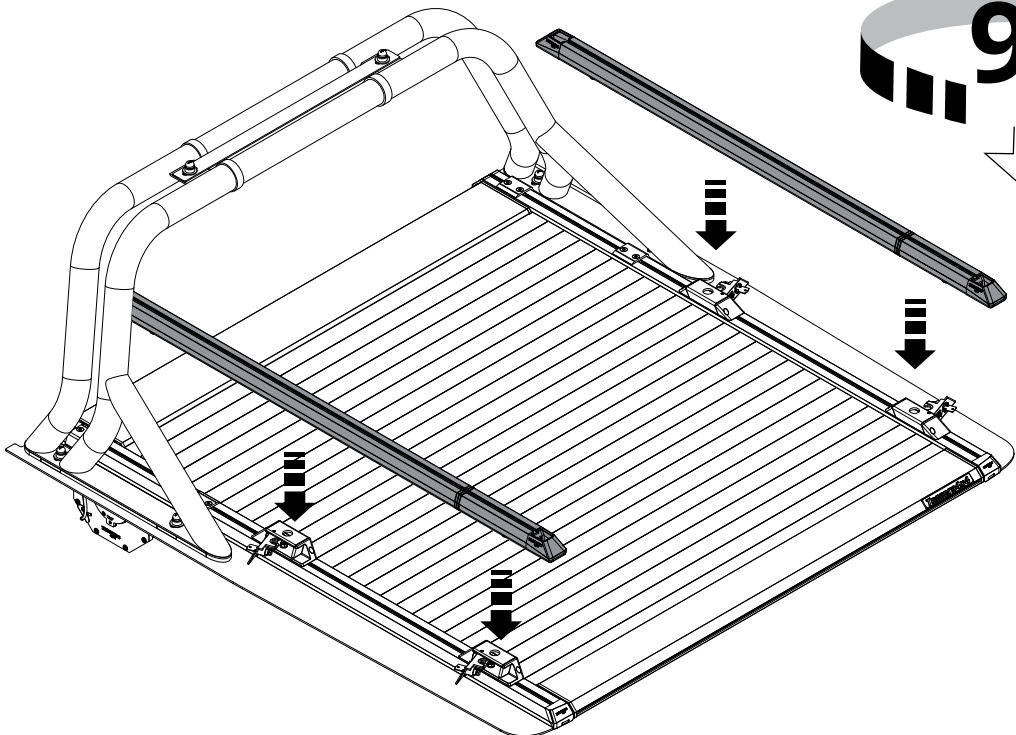
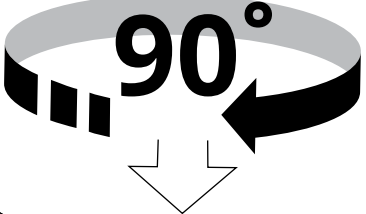
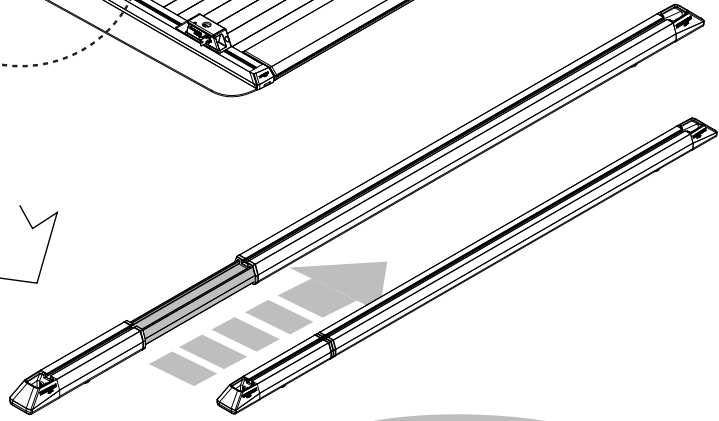
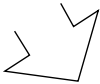
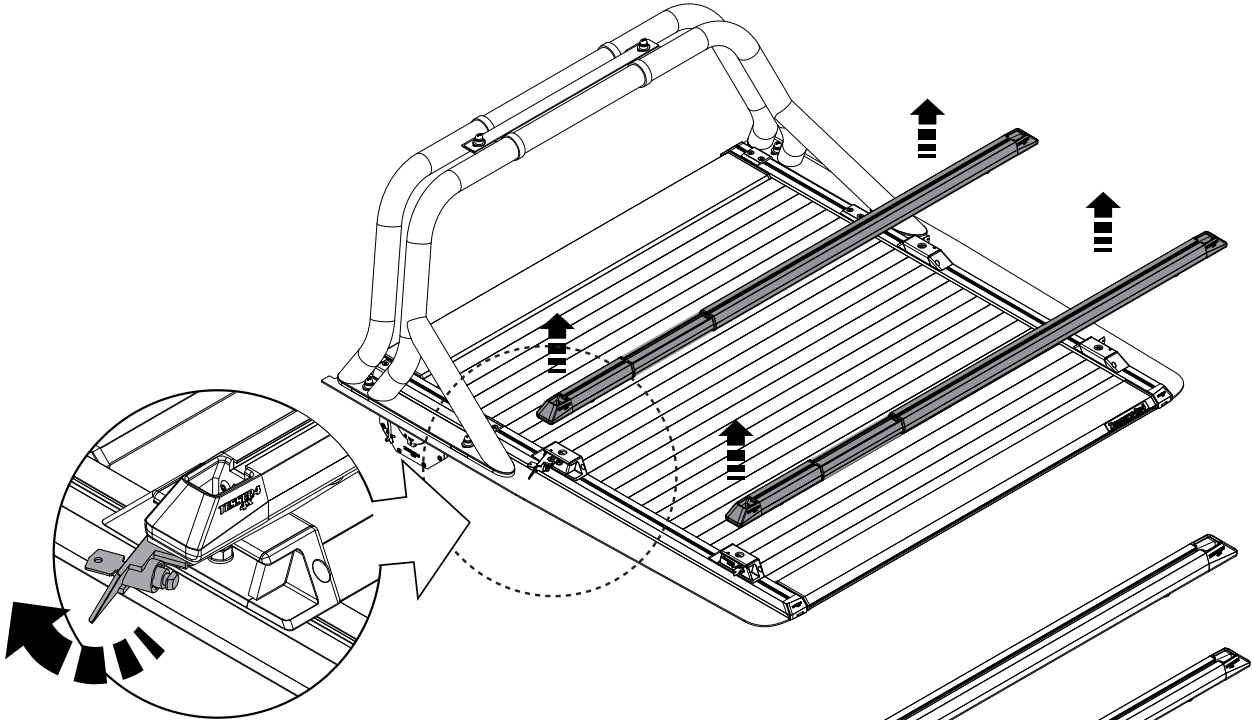
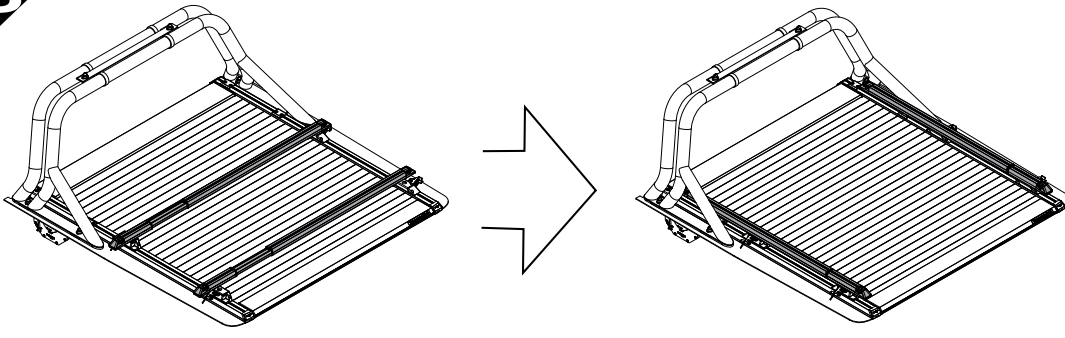
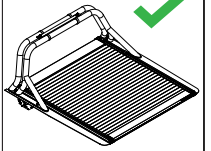
5.5 cm



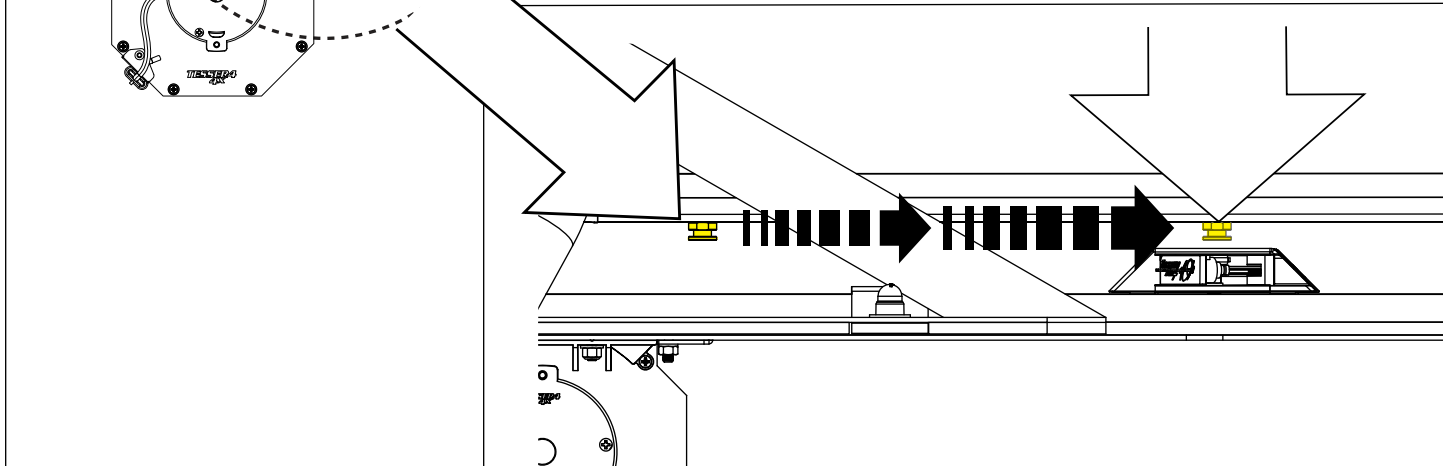
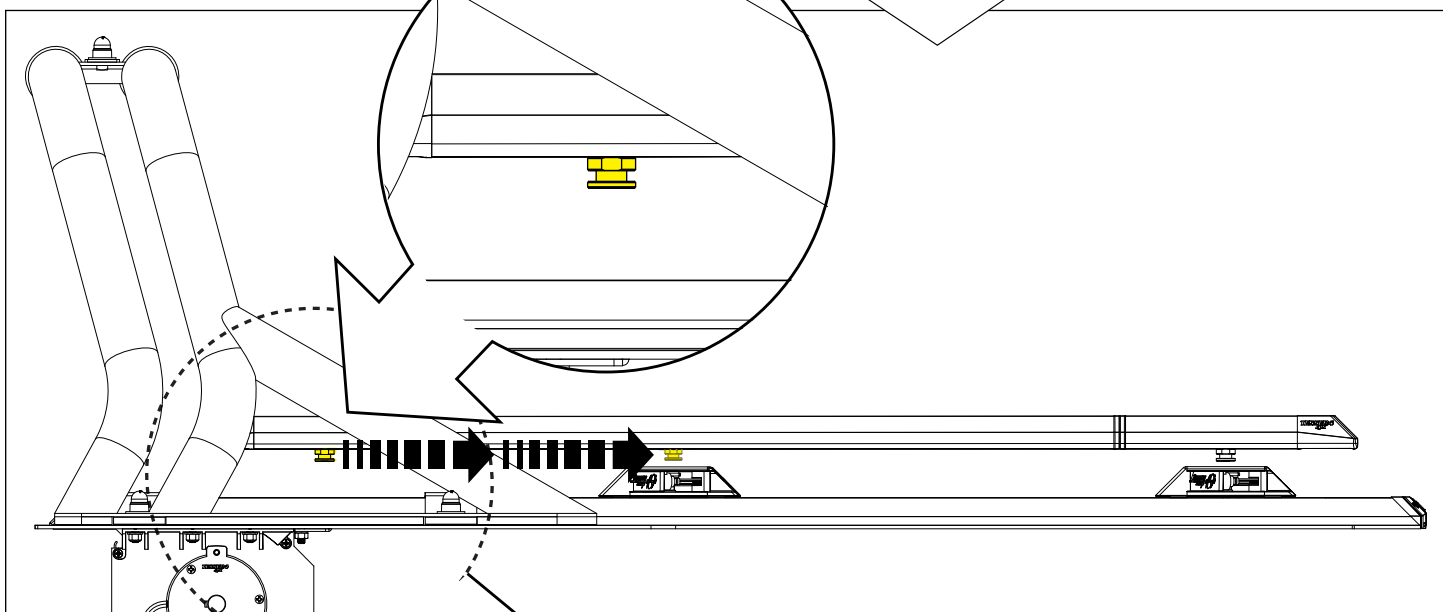
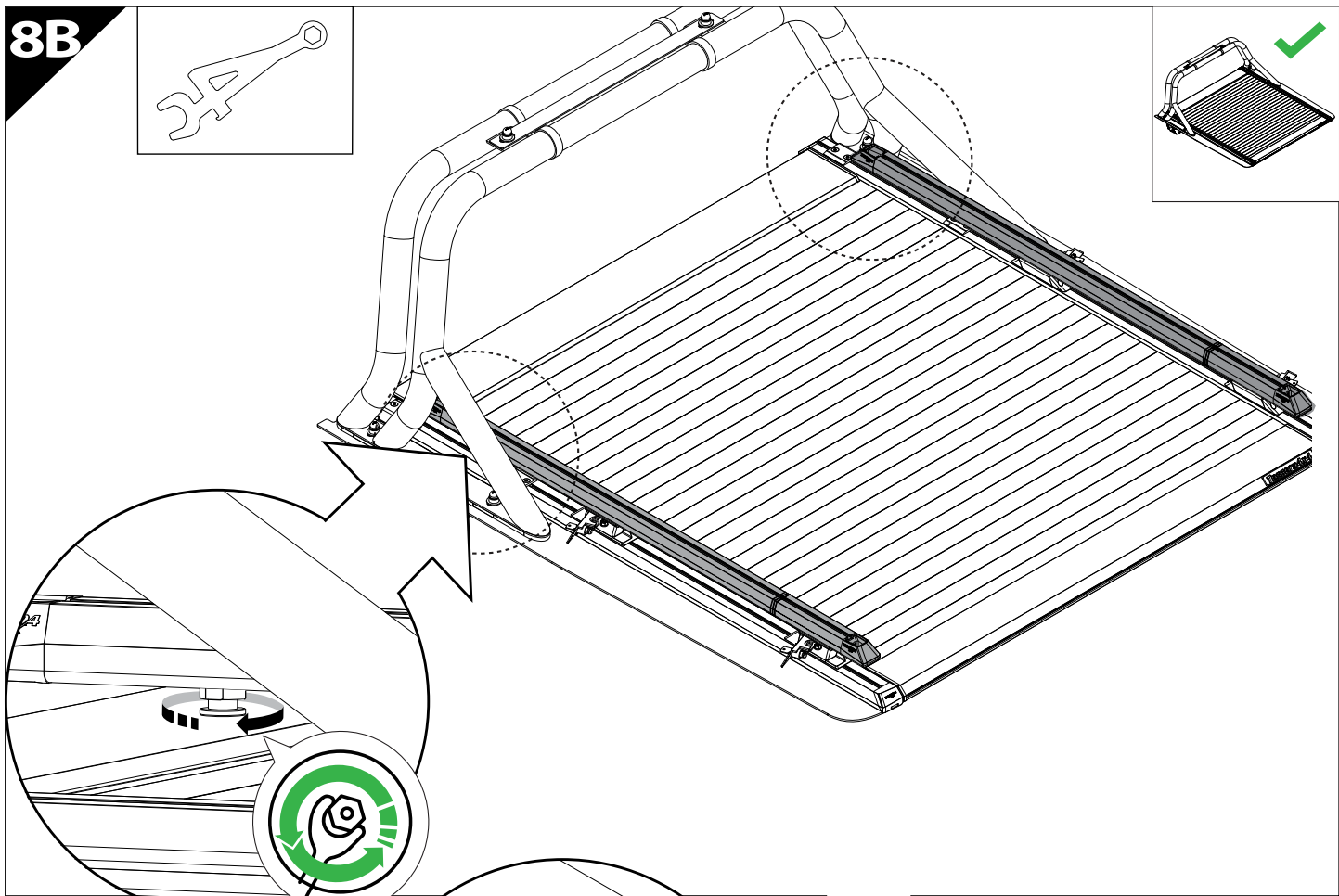
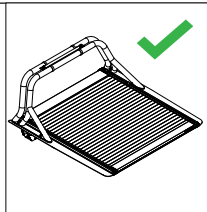
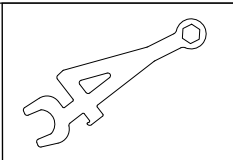
6B



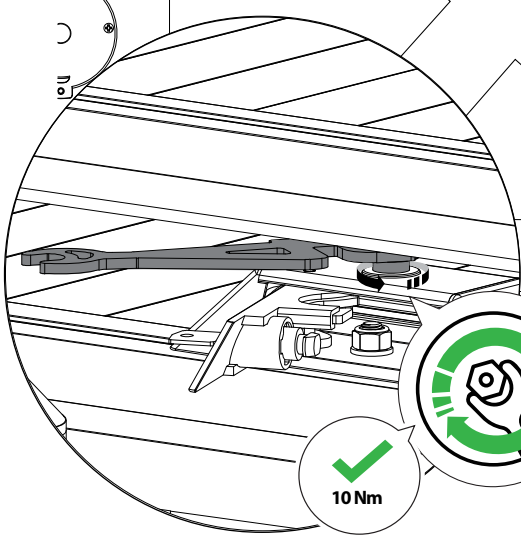
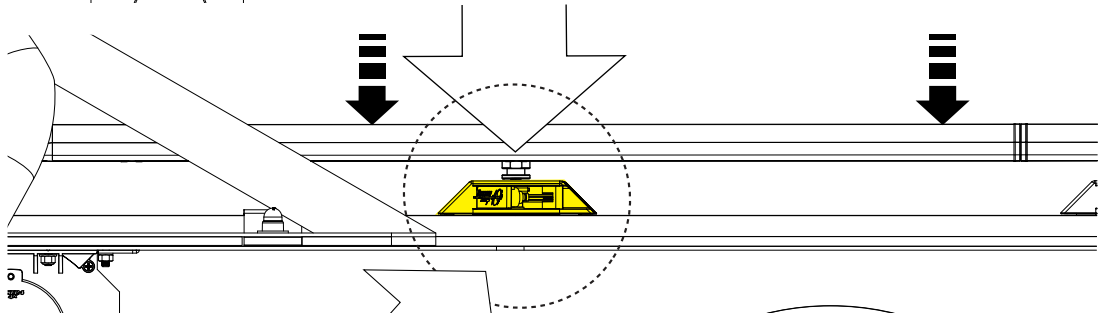
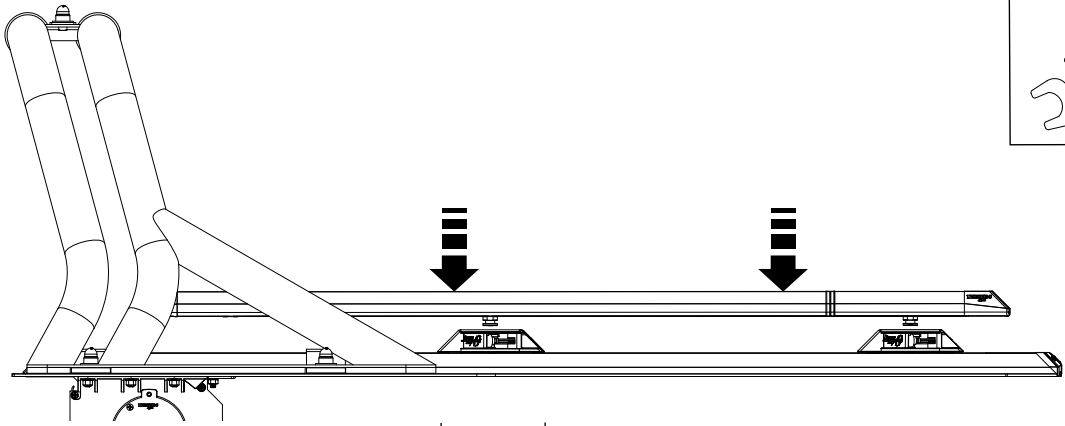
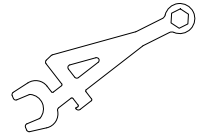
7B



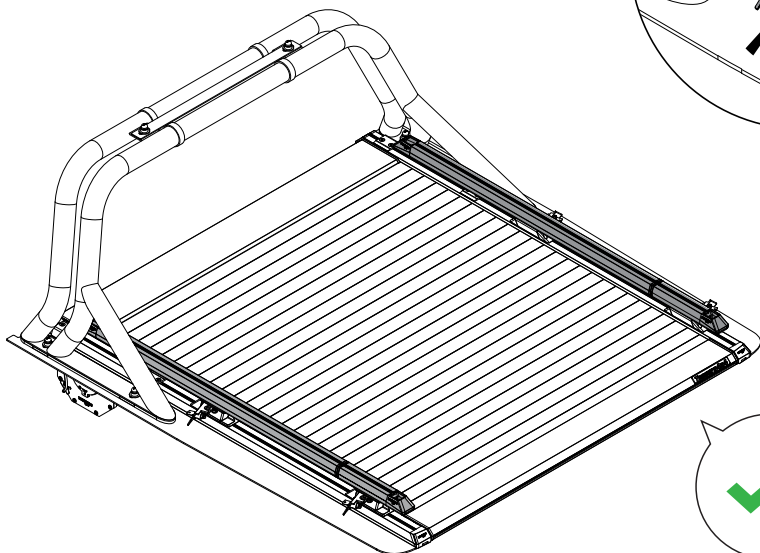
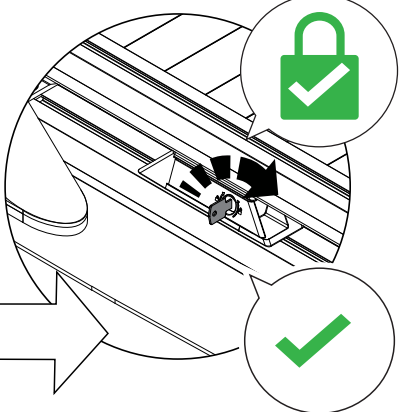
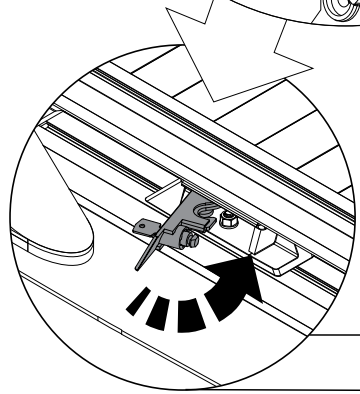
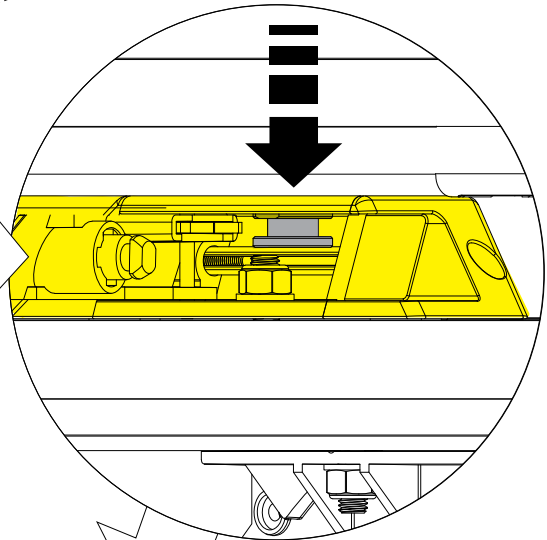
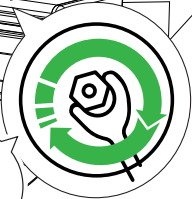
8B



9B



✓  
10 Nm







**GR:** Οδηγίες Εγκατάστασης  
**GB:** Installation manual  
**SF:** Asennusohje  
**F:** Notice de montage  
**PL:** Instrukcja montażu  
**NL:** Installatie-instructies  
**TR:** Montaj Talimatı  
**S:** Monteringsanvisning  
**E:** Instrucciones de montaje

**H:** Szerelési utasítás  
**P:** Instruções de instalação  
**RUS:** Инструкция по установке  
**N:** Monteringsveiledning  
**D:** Einbauanleitung  
**CZ:** Návod k instalaci  
**I:** Istruzioni de montaggio  
**DK:** Monteringsvejledning  
**RO:** Instructiuni de instalare

Customer Service:

+30 (210) 5541161, +30 (210) 5541154 (08:00 - 16:00 EET)

Support department:

[info@gianso.gr](mailto:info@gianso.gr)

Website:

[www.tessera4x4.com](http://www.tessera4x4.com)

Address:

19.5 km of National road Athens-Korinthos (Elefsina) Greece, P.C: 19200